

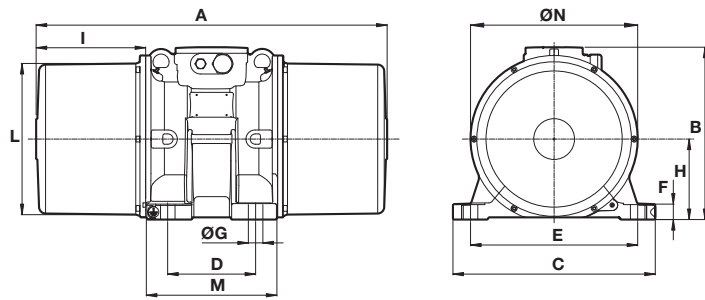
## 8 poles - 750/900 rpm

### Three-phase

DESCRIPTION				MECHANICAL SPECIFICATIONS						ELECTRICAL SPECIFICATIONS						
Code	Type	Type (EU)	SIZE	SP®	Static moment* in-lbs		Centrifugal force lbs		Weight lbs		Power Output HP		Max current A		Ia/In	
					50Hz	60Hz	50Hz	60Hz	50Hz	60Hz	50Hz	60Hz	400V 50Hz	460V 60Hz	50Hz	60Hz
602531	<b>MVLS 9-3320</b>	MVLS 075/1500-S90	184	•		144	<b>2295</b>	<b>3305</b>	299		0.85	1.0	3.00	3.10	6.40	5.50
602532	<b>MVLS 9-5150</b>	MVLS 075/2300-S90	215	•		224	<b>3565</b>	<b>5133</b>	396		1.7	2.0	5.10	5.10	4.10	4.30
602533	<b>MVLS 9-6890</b>	MVLS 075/3000-S90	256	□		300	<b>4775</b>	<b>6876</b>	473		4.2	5.0	7.30	7.50	5.50	6.1
602534	<b>MVLS 9-9330</b>	MVLS 075/4200-S90	256	□		406	<b>6460</b>	<b>9303</b>	506		6.3	7.5	12.20	12.00	5.70	6.20
602536	<b>MVLS 9-16600</b>	MVLS 075/7500-S90	286	□		723	<b>11496</b>	<b>16554</b>	1023		8.3	10.0	13.40	14.30	8.90	9.00

\* Working moment = 2 x static moment.

□ CSA certification on request, with feeding line included.



DIMENSIONAL SPECIFICATIONS (inches)

Holes

Type	A	B	C	D	E	ØG	N°	F	H	I	L	M	ØN	Cable entry thread
<b>MVLS 9-3320</b>	25.98	12.44	13.39	<b>6.30</b>	<b>11.02</b>	<b>1.02</b>	<b>4</b>	0.98	5.91	8.27	10.75	9.29	12.44	M25x1.5
<b>MVLS 9-5150</b>	23.78	13.82	15.35	<b>7.87</b>	<b>12.60</b>	<b>1.10</b>	<b>4</b>	1.18	6.38	5.98	11.93	11.57	13.39	M32x1.5
<b>MVLS 9-6890</b>	31.42	15.91	18.11	<b>7.87</b>	<b>14.96</b>	<b>1.30</b>	<b>4</b>	1.38	7.20	9.80	13.54	11.57	14.96	M32x1.5
<b>MVLS 9-9330</b>	31.42	15.91	18.11	<b>7.87</b>	<b>14.96</b>	<b>1.30</b>	<b>4</b>	1.38	7.20	9.80	13.54	11.57	14.96	M32x1.5
<b>MVLS 9-16600</b>	35.12	19.80	20.79	<b>7.87</b>	<b>17.32</b>	<b>1.30</b>	<b>4</b>	1.38	9.37	11.10	16.85	12.13	18.11	M32x1.5

$I_a/I_n$  = ratio between start-up current and maximum current.

