

10 poles - 600/720 rpm

Three-phase

DESCRIPTION				MECHANICAL SPECIFICATIONS						ELECTRICAL SPECIFICATIONS						
Code	Type	Type (EU)	SIZE		Static moment* in-lbs		Centrifugal force lbs		Weight lbs		Power Output HP		Max current A		Ia/In	
					50Hz	60Hz	50Hz	60Hz	50Hz	60Hz	50Hz	60Hz	400V 50Hz	460V 60Hz	50Hz	60Hz
602965	MVLS 7-1700	MVLS 06/800-S90	184	•	116	1180	1699	312	0.90	1.0	3.40	3.40	5.10	4.40		
602958	MVLS 7-3330	MVLS 06/1500-S90	184	•	226	2297	3308	334	0.90	1.0	3.40	3.40	5.10	4.40		
602966	MVLS 7-3290	MVLS 06/1490-S90	215	•	224	2282	3285	396	1.7	2.0	4.60	4.60	4.10	3.50		
602953	MVLS 7-5110	MVLS 06/2300-S90	215	•	348	3543	5102	427	1.7	2.0	4.60	4.60	4.10	3.50		
602968	MVLS 7-4400	MVLS 06/2000-S90	256	□	300	3054	4398	484	2.5	3.0	5.80	6.10	8.20	6.70		
602967	MVLS 7-6600	MVLS 06/2700-S90	256	□	406	4135	5954	506	2.6	3.0	6.80	8.40	10.3	7.30		
602959	MVLS 7-5940	MVLS 06/3000-S90	256	□	448	4567	6576	484	4.3	5.0	6.00	6.10	6.40	6.70		
602952	MVLS 7-9400	MVLS 06/4200-S90	256	□	643	6544	9423	653	4.3	5.0	8.60	8.40	7.00	7.30		
602946	MVLS 7-14700	MVLS 06/6600-S90	286	□	998	10159	14629	946	6.4	7.5	11.2	11.2	5.80	6.10		
602960	MVLS 7-18000	MVLS 06/8100-S90	286	□	1223	12456	17937	1067	8.3	10.0	13.3	14.0	7.00	5.70		
602987	MVLS 7-20000	MVLS 06/9500-S90	286	□	1434	14604	-	1137	9.2	-	15.0	-	7.50	-		

* Working moment = 2 x static moment.

□ CSA certification on request, with feeding line included.

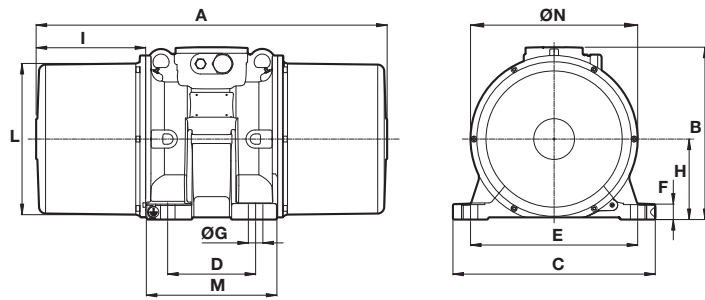


Fig. V

DIMENSIONAL SPECIFICATIONS (inches)

Holes

Type	A	B	C	D	E	ØG	N°	F	H	I	L	M	ØN	Cable entry thread
MVLS 7-1700	25.98	12.44	13.39	6.30	11.02	1.02	4	0.98	5.91	8.27	10.75	9.29	12.44	M25x1.5
MVLS 7-3330	25.98	12.44	13.39	6.30	11.02	1.02	4	0.98	5.91	8.27	10.75	9.29	12.44	M25x1.5
MVLS 7-3290	27.95	13.82	15.35	7.87	12.60	1.10	4	1.18	6.38	8.07	11.93	11.57	13.39	M32x1.5
MVLS 7-5110	27.95	13.82	15.35	7.87	12.60	1.10	4	1.18	6.38	8.07	11.93	11.57	13.39	M32x1.5
MVLS 7-4400	31.42	15.91	18.11	7.87	14.96	1.30	4	1.38	7.20	9.80	13.54	11.57	14.96	M32x1.5
MVLS 7-6600	31.42	15.91	18.11	7.87	14.96	1.30	4	1.38	7.20	9.80	13.54	11.57	14.96	M32x1.5
MVLS 7-5940	31.42	15.91	18.11	7.87	14.96	1.30	4	1.38	7.20	9.80	13.54	11.57	14.96	M32x1.5
MVLS 7-9400	31.42	15.91	18.11	7.87	14.96	1.30	4	1.38	7.20	9.80	13.54	11.57	14.96	M32x1.5
MVLS 7-14700	35.12	19.80	20.79	7.87	17.32	1.30	4	1.38	9.37	11.10	16.85	12.13	18.11	M32x1.5
MVLS 7-18000	35.12	19.80	20.79	7.87	17.32	1.30	4	1.38	9.37	11.10	16.85	12.13	18.11	M32x1.5
MVLS 7-20000	35.12	19.80	20.79	7.87	17.32	1.30	4	1.38	9.37	11.10	16.85	12.13	18.11	M32x1.5

I_a/I_n = ratio between start-up current and maximum current.

