

12 poles - 500/600 rpm

Three-phase

DESCRIPTION				MECHANICAL SPECIFICATIONS						ELECTRICAL SPECIFICATIONS						
Code	Type	Type (EU)	SIZE		Static moment* in-lbs		Centrifugal force lbs		Weight lbs		Power Output HP		Max current A		Ia/In	
					50Hz	60Hz	50Hz	60Hz	50Hz	60Hz	50Hz	60Hz	400V 50Hz	460V 60Hz	50Hz	60Hz
602957	MVLS 6-2150	MVLS 05/1000-S90	184	•	210	1487	2141	319	0.70	0.80	3.70	3.80	3.30	3.30		
602949	MVLS 6-3310	MVLS 05/1500-S90	215	•	324	2292	3301	407	0.90	1.0	4.20	4.30	4.10	3.40		
602950	MVLS 6-5100	MVLS 05/2300-S90	256	□	499	3531	5085	495	1.7	2.0	6.40	6.50	3.80	3.90		
602951	MVLS 6-6600	MVLS 05/3000-S90	256	□	643	4544	6544	638	2.6	3.0	7.60	7.50	7.90	8.10		
602947	MVLS 6-9150	MVLS 05/4200-S90	286	□	898	6352	9147	878	4.3	5.0	8.30	8.60	6.60	6.90		
602948	MVLS 6-14600	MVLS 05/6600-S90	286	□	1434	10141	14604	1129	6.5	7.5	12.3	12.0	5.70	6.30		

* Working moment = 2 x static moment. □ CSA certification on request, with feeding line included.

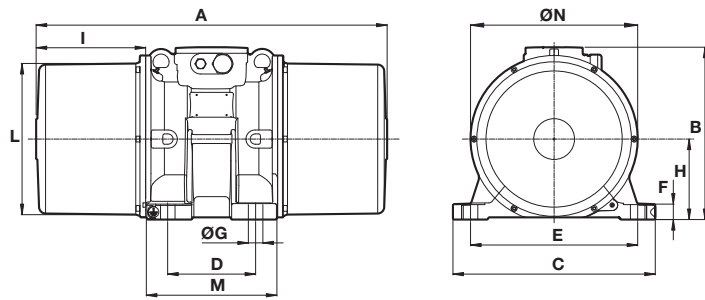


Fig. V

DIMENSIONAL SPECIFICATIONS (inches)

Holes

Type	A	B	C	D	E	ØG	N°	F	H	I	L	M	ØN	Cable entry thread
MVLS 6-2150	25.98	12.44	13.39	6.30	11.02	1.02	4	0.98	5.91	8.27	10.75	9.29	12.44	M25x1.5
MVLS 6-3310	27.95	13.82	15.35	7.87	12.60	1.10	4	1.18	6.38	8.07	11.93	11.57	13.39	M32x1.5
MVLS 6-5100	31.42	15.91	18.11	7.87	14.96	1.30	4	1.38	7.20	9.80	13.54	11.57	14.96	M32x1.5
MVLS 6-6600	31.42	15.91	18.11	7.87	14.96	1.30	4	1.38	7.20	9.80	13.54	11.57	14.96	M32x1.5
MVLS 6-9150	28.27	19.80	20.79	7.87	17.32	1.30	4	1.38	9.37	11.10	16.85	12.13	18.11	M32x1.5
MVLS 6-14600	35.12	19.80	20.79	7.87	17.32	1.30	4	1.38	9.37	12.05	16.85	12.13	18.11	M32x1.5

Ia/I_n = ratio between start-up current and maximum current.